

Request for Proposal (RFP)

Bid No: 18-10-1940LE

Addendum No. 5

Date: November 28, 2018

To: All Proposers

Subject: Addendum No. 5
Consisting of four (4) Pages

RFP No.: 18-10-1940LE

Project Name: N12(19-4)1,2&4

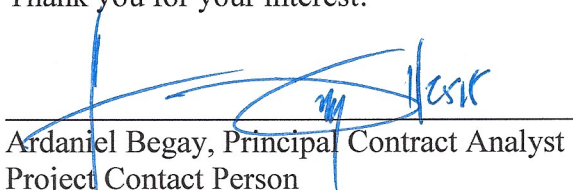
Owner: Navajo Division of Transportation

Proposer shall make note of and/or incorporate all changes listed below into the requested Request for Proposal (RFP):

1. The BIA (Engineer of Record) has reviewed and revised two additional plan sheets (B-4 and B-5) based on the questions answered in Addendum No. 4. Please replace these two sheets in the N12(19-4)1,2&4 plan set. The revised plan sheets are attached to this Addendum No. 5 and the overall plan set PDF file has been updated as well.

END OF ADDENDUM NO. 5

Thank you for your interest!


Ardaniel Begay, Principal Contract Analyst
Project Contact Person

REGION	STATE	RESERVATION	ROUTE	PROJECT NO.	SHEET	TOTAL SHEETS
NAVAJO	ARIZONA	NAVAJO	N12	N12(19-4)1,2&4	B-04	88

REVISED
8:22 am, Nov 28, 2018

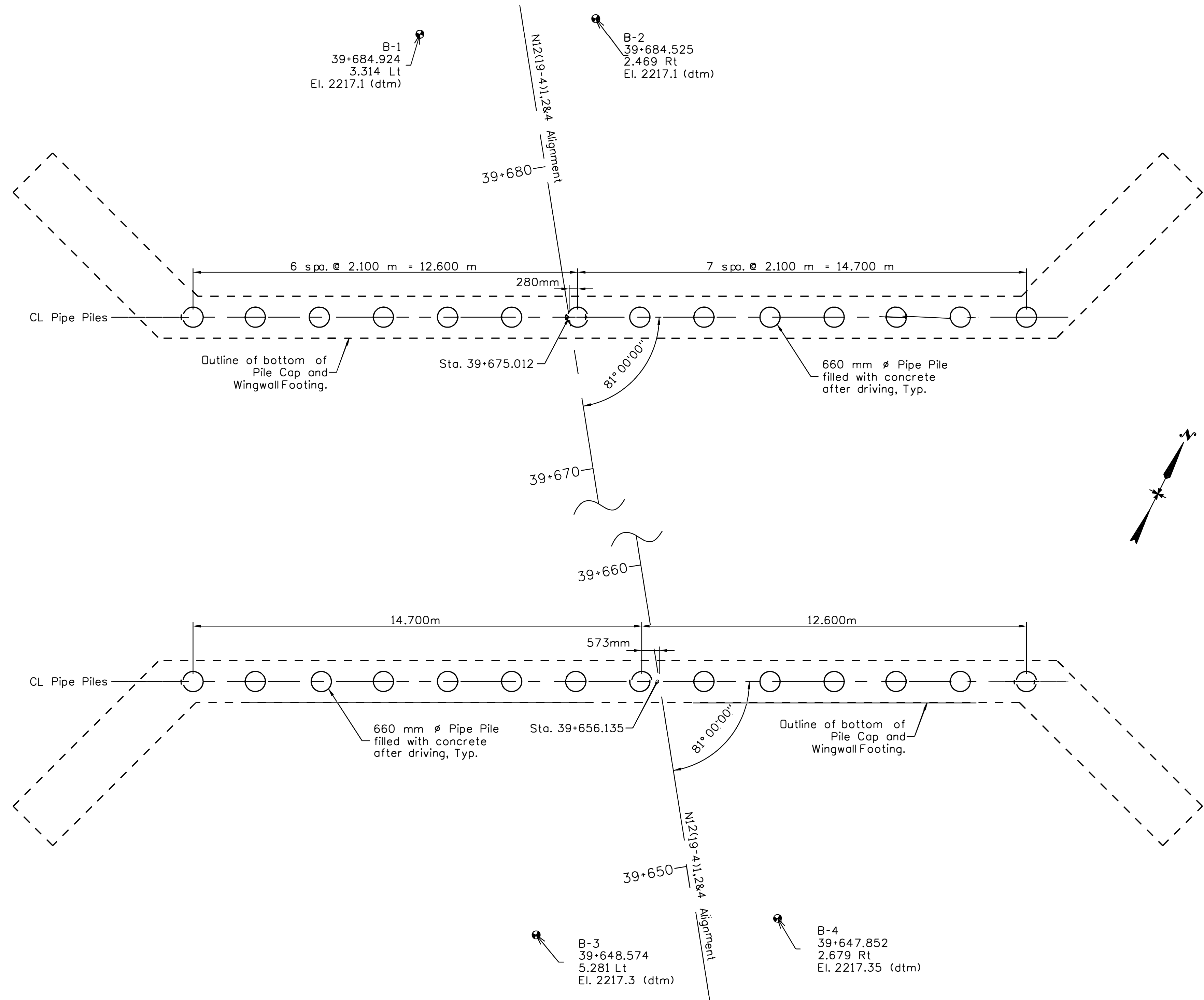
LEGEND

● BORE HOLE LOCATION

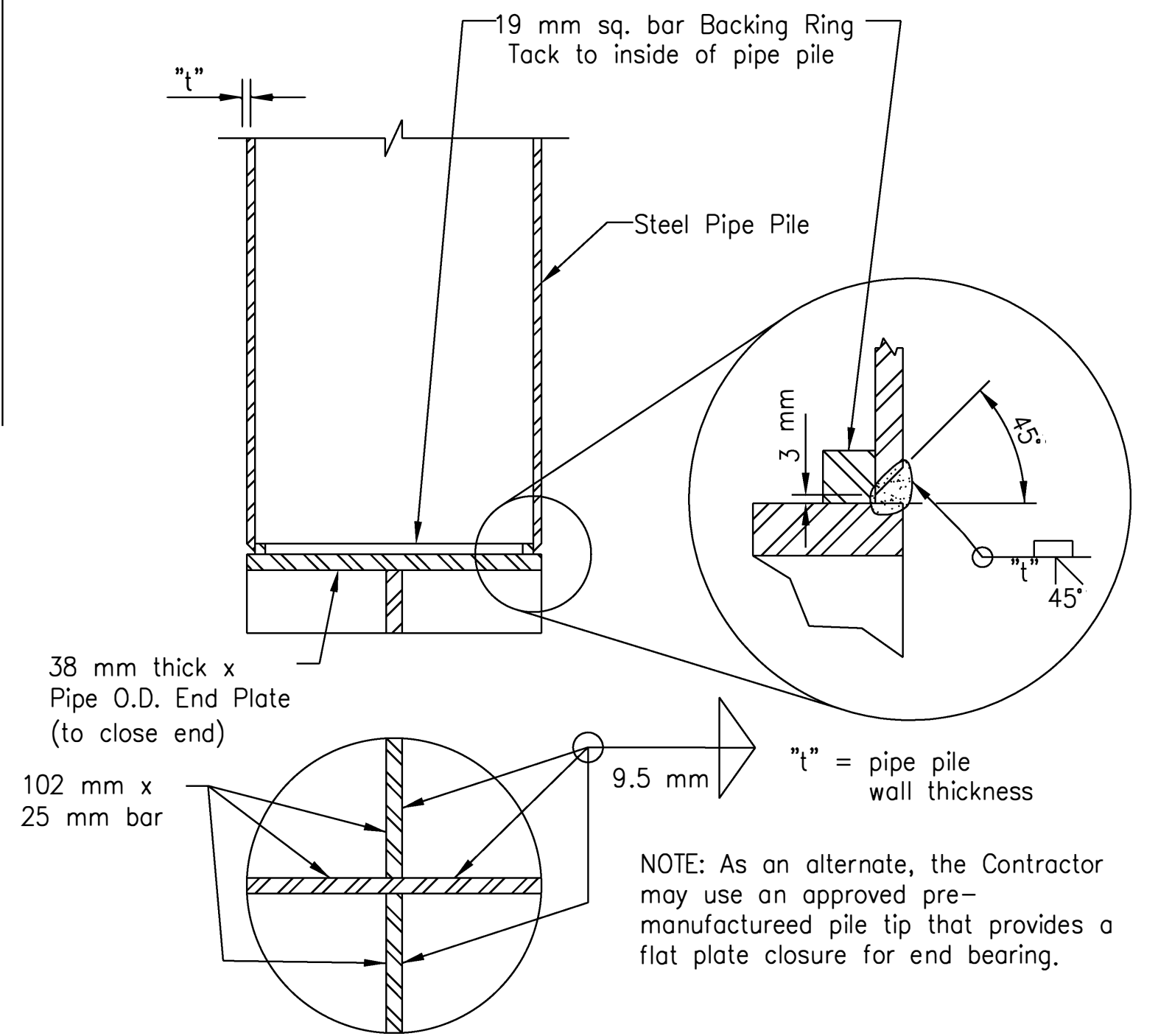
PIILING NOTES

- FOR ADDITIONAL FOUNDATION NOTES: SEE BRIDGE GENERAL NOTE SHEET.
- PILE TIPS FOR PIPE PILING SHALL BE AS SHOWN ON THESE PLANS.
- THIS BRIDGE PROJECT INCLUDES TEST PILES. SEE SUPPLEMENTAL SPECIFICATIONS SECTION 551 FOR ADDITIONAL INFORMATION, INCLUDING DETERMINATION OF PILE QUANTITIES REQUIRED FOR PROJECT.
- APPROVED TEST PILES SHALL BECOME PERMANENT PILES. TEST PILES WILL BE PAID UNDER BID ITEM 55120-0000.
- PREBORING SHALL BE PERFORMED TO THE SPECIFIED PREBORE ELEVATION. PILES SHALL BE PLACED INTO PREBORE HOLES AND DRIVEN TO THE ULTIMATE LOAD SPECIFIED. PILES SHALL BE SUPPORTED Laterally TO ASSURE A VERTICAL POSITION.
- ANY VOID OR ANNULAR SPACE SURROUNDING THE PILE RESULTING FROM THE PREBORED HOLE SHALL BE FILLED WITH A LEAN CONCRETE FLOWABLE FILL AFTER DRIVING. LEAN CONCRETE FLOWABLE FILL SHALL BE CONSIDERED INCIDENTAL TO THE ITEMS 55101-0200 AND ITEM 55120-0000
- PAYMENT FOR PLACEMENT OF STEEL PILES UNDER BID ITEM 55101-2200 INCLUDE MATERIALS, INSTALLATION, PILE TESTING, AND FILLING THE PILES WITH SECTION 601 MINOR CONCRETE (F_c = 25 MPa).

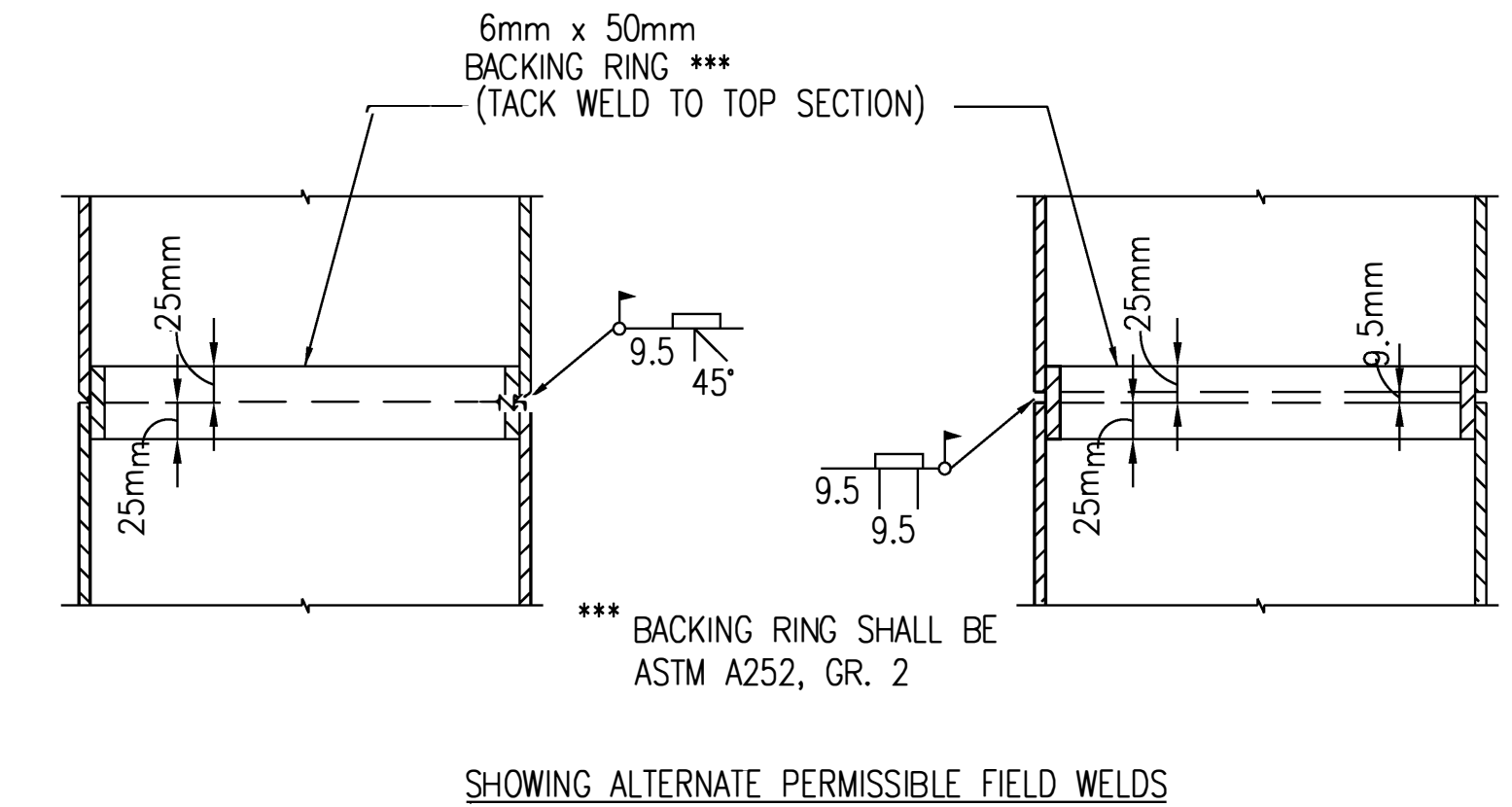
PIPE_PILE_COORDINATES		
PILE	NORTHING	EASTING
ABUTMENT NO. 1		
1	580432.115	308167.266
2	580433.062	308169.141
3	580434.008	308171.015
4	580434.955	308172.890
5	580435.902	308174.764
6	580436.848	308176.639
7	580437.795	308178.513
8	580438.742	308180.388
9	580439.688	308182.262
10	580440.635	308184.137
11	580441.582	308186.011
12	580442.528	308187.886
13	580443.475	308189.760
14	580444.421	308191.635
ABUTMENT NO. 2		
15	580448.758	308158.861
16	580449.705	308160.736
17	580450.652	308162.610
18	580451.598	308164.485
19	580452.545	308166.359
20	580453.491	308168.234
21	580454.438	308170.109
22	580455.385	308171.983
23	580456.331	308173.858
24	580457.278	308175.732
25	580458.225	308177.607
26	580459.171	308179.481
27	580460.118	308181.356
28	580461.064	308183.230



PILE LAYOUT PLAN VIEW



FLAT PLATE PILE TIP



STEEL PIPE PILE SPLICE DETAIL (TYP)


PILE REQUIREMENTS											
LOCATION	PILE TYPE	NO. OF TEST PILES	NO. OF PRODUCTION PILES	ESTIMATED LENGTH PER PILE *	TOTAL ESTIMATED LENGTH	ESTIMATED CONCRETE VOLUME INSIDE EACH PIPE	TOTAL CONCRETE VOLUME INSIDE PIPES	ESTIMATED PREBORE LENGTH PER PILE *	ESTIMATED PILE TIP ELEVATION	APPLIED STRUCT. LOAD (PILE DESIGN) (kN)	ULTIMATE CAPACITY (kN)
ABUTMENT NO. 1 CL PILES STA. 39+656.135	STEEL PIPE PILE 660mmØ x 16mm FILLED WITH CONCRETE	1	13	10.8	151.2	3.69	51.73	9.3	2199.5	1428	3570
ABUTMENT NO. 2 CL PILES STA. 39+675.012	STEEL PIPE PILE 660mmØ x 16mm FILLED WITH CONCRETE	1	13	11.5	161.0	3.93	55.08	10.0	2198.8	1428	3570
TOTAL					312.2	TOTAL	106.80				

* - ESTIMATED PILE LENGTH and ESTIMATED PREBORE LENGTH base on longest pile in foundation. Information is provided for estimating purposes only. ACTUAL PILE LENGTH AND PREBORE LENGTH SHALL BE DETERMINED IN THE FIELD BASED ON TEST PILE INSTALLATION AND ADJUSTMENTS FOR DRIVING TO GAIN REQUIRED PILE CAPACITY AS DETERMINED BY CONSTRUCTION INSPECTION OF DRIVING OPERATIONS. The Contractor may use 762mm diameter PILES if the 660mm size is not AVAILABLE and must indicate this in their bid.

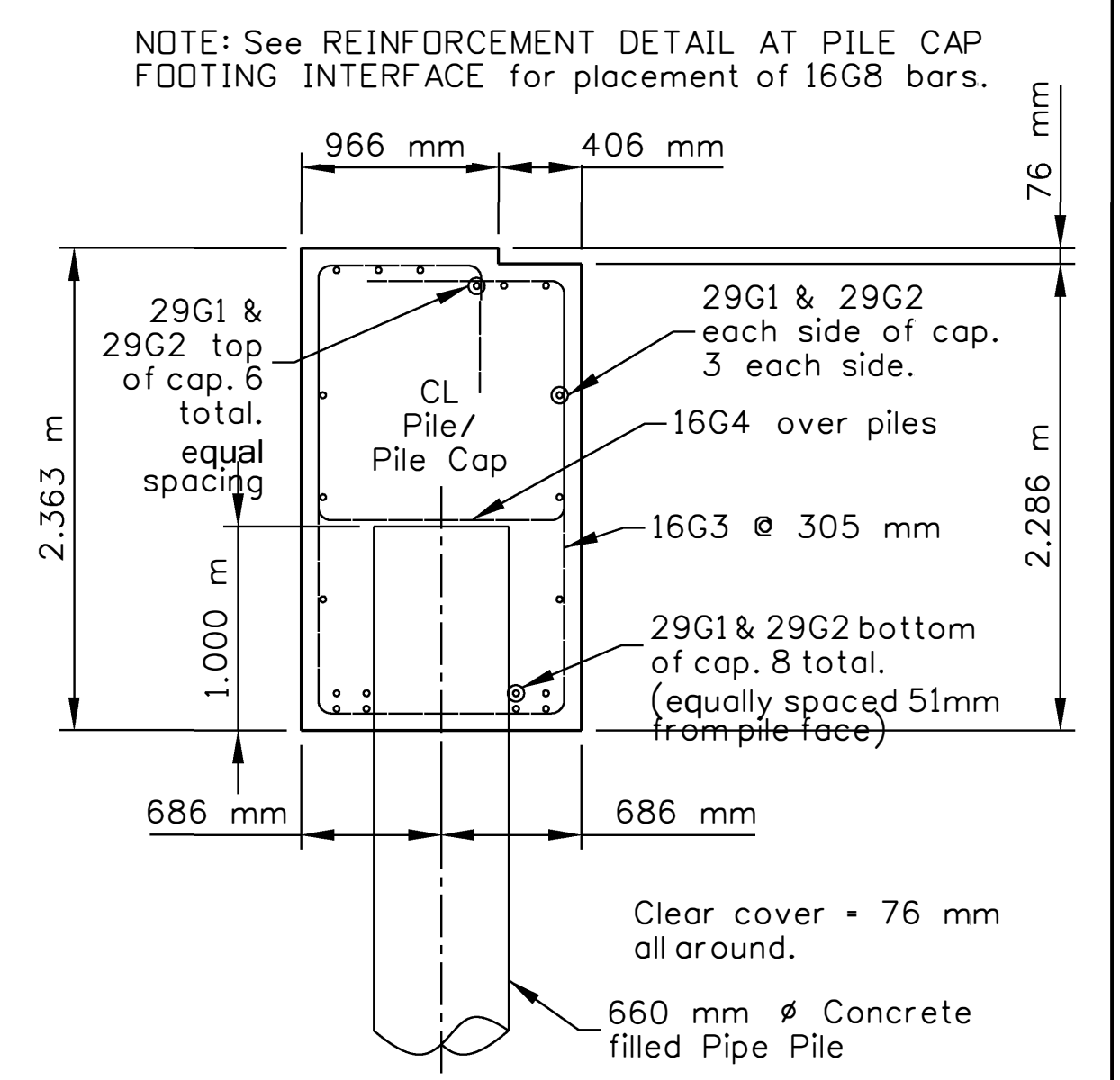
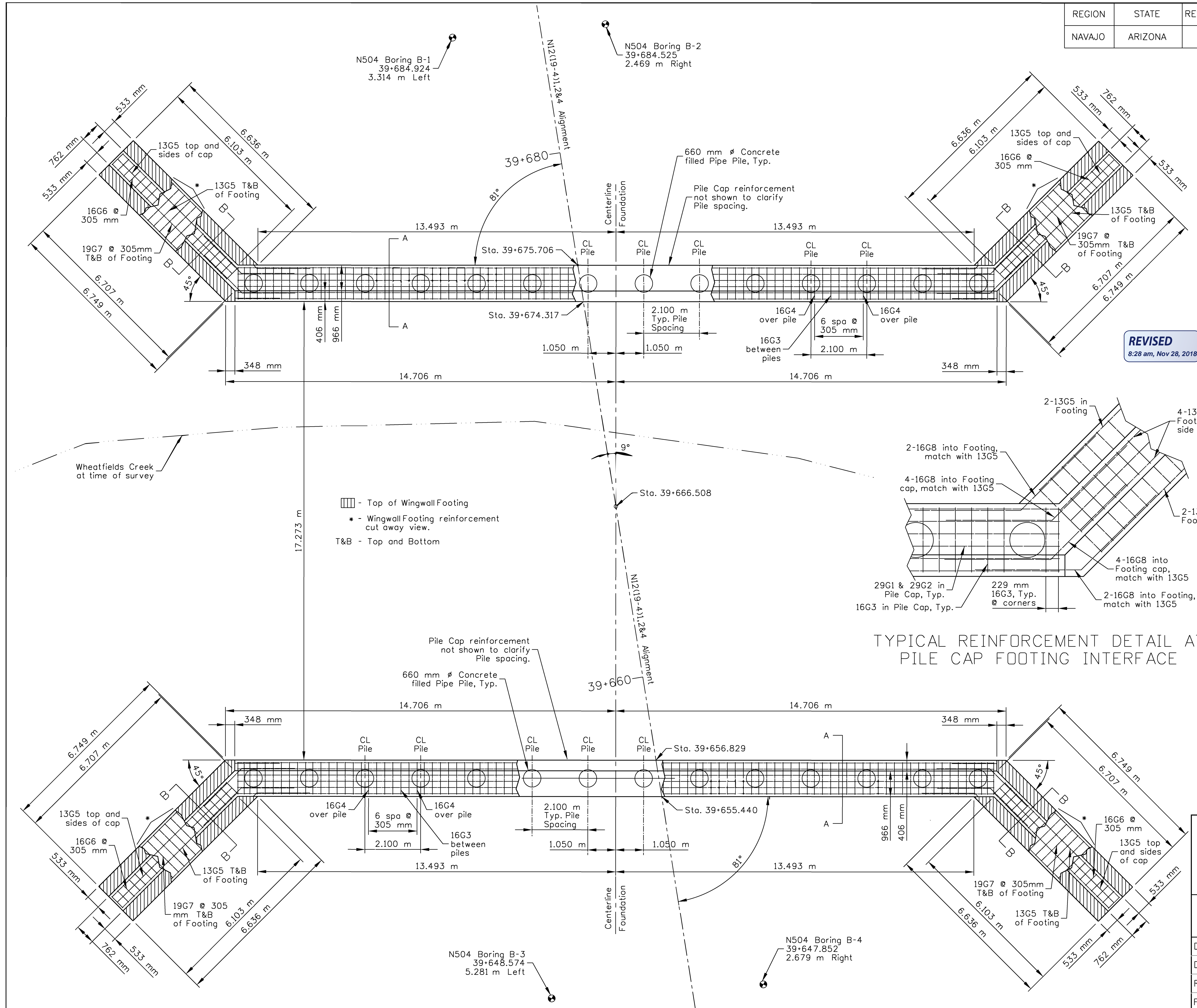
UNITED STATES
DEPARTMENT OF THE INTERIOR
BUREAU OF INDIAN AFFAIRS
 NAVAJO REGIONAL OFFICE * DIVISION OF TRANSPORTATION

BRIDGE N504 PIPE
LAYOUT AND NOTES

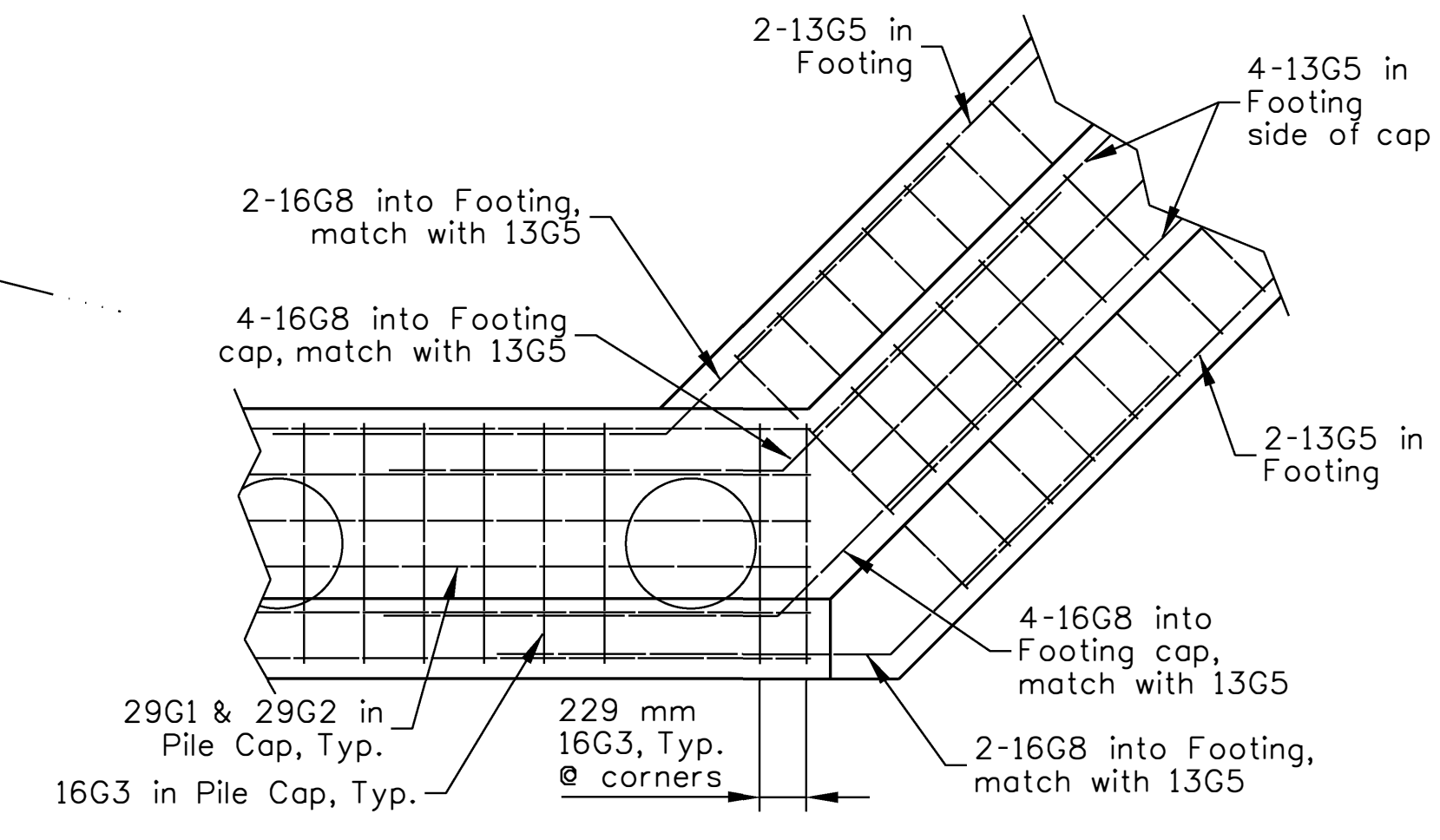
DRAWN BY: NRDOT	DATE: 2/23/2018
DESIGNED BY: NRDOT	DATE: 2/23/2018
REVISED: 11/23/2018	BY: Leroy.Toledo
Sht 78_B-04 N504 Pipe Pile Details 2018-02-12.dgn	



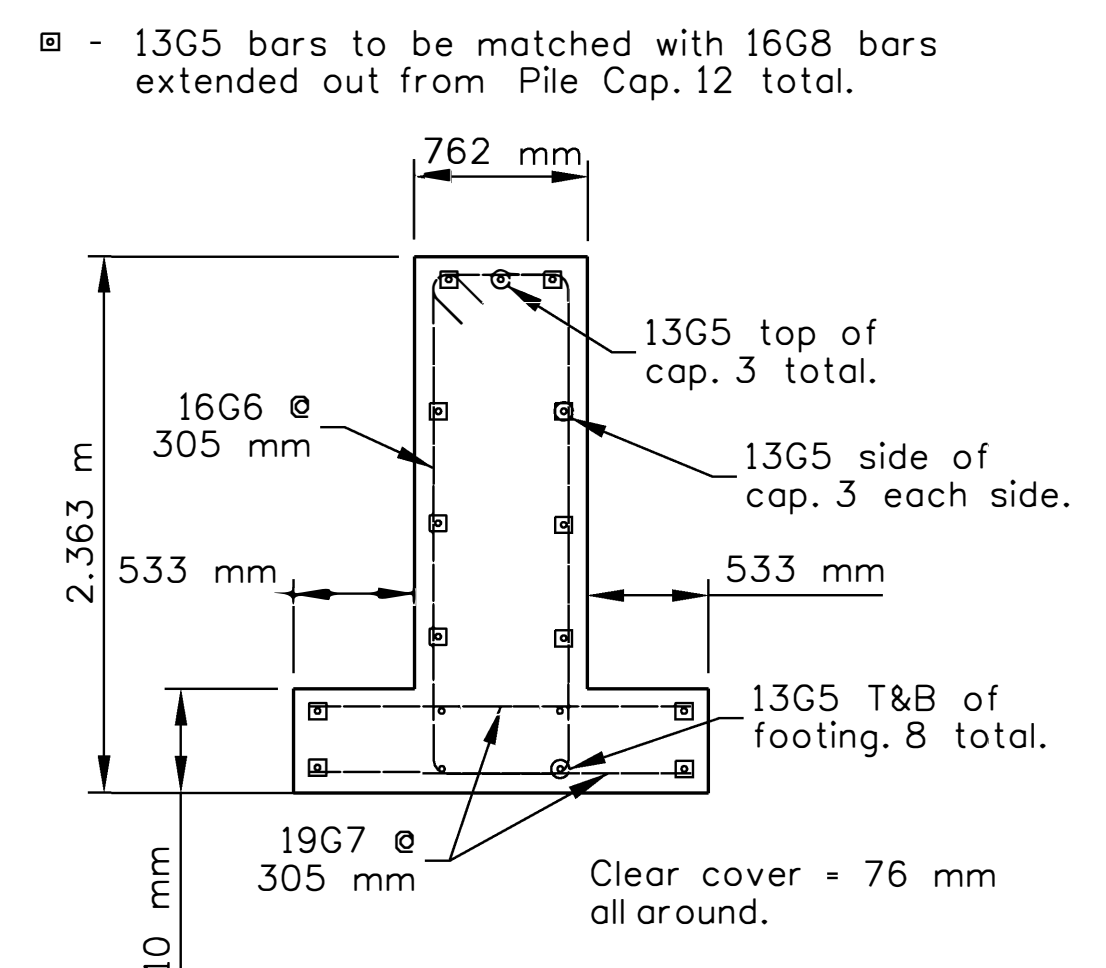
REGION	STATE	RESERVATION	ROUTE	PROJECT NO.	SHEET	TOTAL SHEETS
NAVAJO	ARIZONA	NAVAJO	N12	N12(19-4)1,2&4	B-05	88



SECTION A-A
(THROUGH PILE CAP)



TYPICAL REINFORCEMENT DETAIL AT
PILE CAP FOOTING INTERFACE




SECTION B-B
(THROUGH WINGWALL FOOTING)

UNITED STATES
DEPARTMENT OF THE INTERIOR
BUREAU OF INDIAN AFFAIRS
NAVAJO REGIONAL OFFICE * DIVISION OF TRANSPORTATION

**BRIDGE N504 REPLACEMENT
FOUNDATION LAYOUT**

DRAWN BY: cdh	DATE: 2018/02/12
DESIGNED BY: Struct Unit	DATE: 2018/02/12
REVISED: -/-/-	BY: - -
Filename: N504 Foundation Layout	



Addendum Acknowledgement

Addendum:

In submitting this Bid, Respondent represents that: *Respondent has examined and carefully studied the RFP and attachments, and any data and reference items identified in the RFP documents, and hereby acknowledges receipt of the following Addenda:*

Addendum No:

Addendum Date:

Respondent's Acknowledgement Signature:

Name and Title

Signature

Company Name